
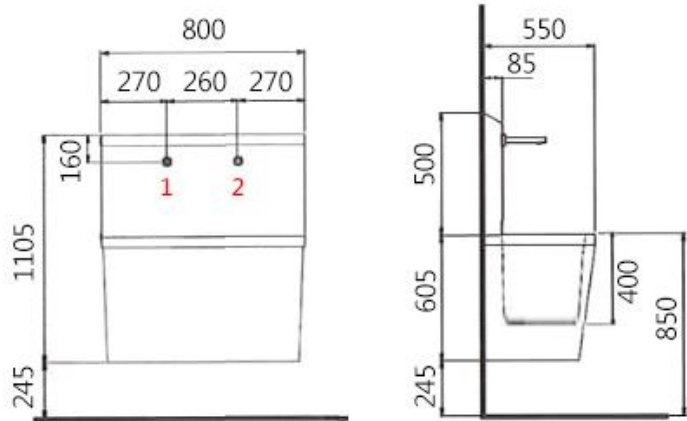




PROJECT		REF		REV	ITEM CODE	
LOCATION		DATE			PAGE	

**SANITARY WARE SPECIFICATION SHEET**

Item Descriptions	EMCA (PRC) 1.5mm stainless steel in Grade 316 wall hung 1 station scrub sink (1-pax)	<p>Illustration/ Drawing</p>  <p>(Image reference only)</p>
Dimensions	L800 x W550 x H1105 mm	
Model	EM0156A.703-800-SS316	
Material	Stainless Steel Grade 316	
Finish	Polished Finish	
Manufacturer	EMCA (PRC)	
Source	Acme Sanitary Ware Co. Ltd Mr. Eric Wong/ Mr. Don Yuen	
Contact Tel/Fax	(852) 2388-7171 / (852) 2710-8012	
E-mail	acme@acmesanitary.com.hk	
Website	www.acmesanitary.com.hk	



Point 1 ~ wall mounted sensor faucet (suggested only)  
 Point 2 ~ wall mounted soap dispenser (suggested only)

Note: Tailor-made size can be specified.

\* All information of the above is for the reference only. No prior notice is made if any changes.